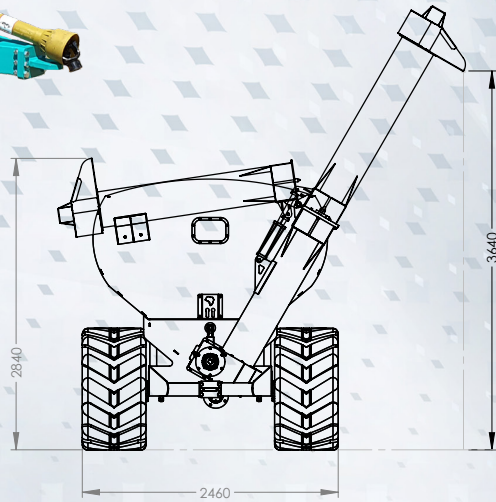
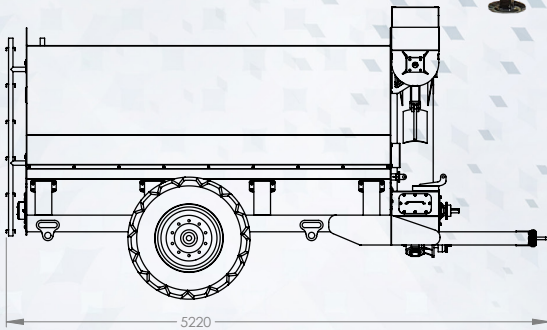




# DUAL TRANSFER & FERTILIZER TRAILER

8 TON



Total Width	2460mm
Total length including drawbar	5220mm
Total height	2840mm
Weight	2560kg
Tyre size	600/50R22.5
Capacity	8 ton / 10m3
Power required	70kw
Discharge tempo	1.5 ton / min depending on material
Discharge height	3640mm



Increased header capacity



Increased harvest efficiency



Able to harvest in wetter conditions



The auger is driven by a heavy duty gearbox



A product that is build to last



Capacity sizes range from 18 to 24 ton

Office Contact Details:

# 011 979 0131

[info@feeler africa.co.za](mailto:info@feeler africa.co.za)

38 Rokewood Street, Pomona  
Kempton Park, 1619