



Engine	YUCHAI YC4A90-T22
Rated Power	66 kW (89 hp / 90 ps) @ 2,300 rpm
Net Power	62 kW (83 hp / 84 ps) @ 2,300 rpm
Operating Weight	6,530 kg
Standard Bucket Size	1.4 m ³
Standard Breakout Force	45 kN
Standard Dump Clearance	2,950 mm

820C WHEEL LOADER

820C SPECIFICATIONS >>>

ENGINE

Emission Regulation	Tier 2 / Stage II
Manufacturer	YUCHAI
Model	YC4A90-T22
Rated Power	66 kW (89 hp / 90 ps) @ 2,300 rpm
Net Power	62 kW (83 hp / 84 ps) @ 2,300 rpm
Peak Torque	320 N • m @ 1,450-1,650 rpm
Number of Cylinders	4
Aspiration	Natural

TRANSMISSION

Transmission Type	Counter shaft-type power shift
Torque Converter	3 element-single stage, single phase
Maximum Travel Speed, fwd	25 km/h
Maximum Travel Speed, rev	25 km/h
Number of Speeds, fwd	2
Number of Speeds, rev	2

AXLES

Differential Front Type	Conventional
Differential Rear Type	Conventional
Axle Oscillation	11°

STEERING

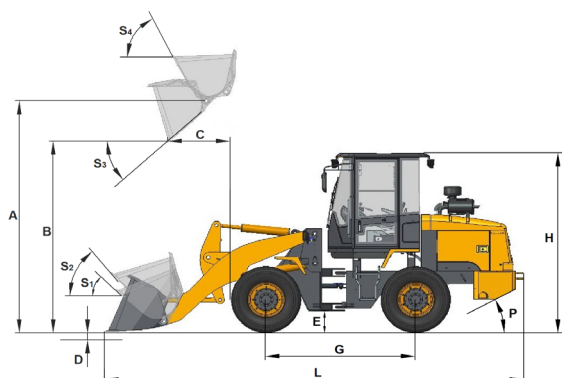
Steering Configuration	Articulated
Steering Relief Pressure	14.8 Mpa

BRAKES

Service Brake Type	Caliper dry disc
Service Brake Actuation	Air over hydraulic
Parking Brake Type	Caliper discs brake
Parking Brake Actuation	Mechanical

HYDRAULIC SYSTEM

Main Pump Type	Gear
Main Relief Pressure	18 MPa
Raise	5.2 s
Dump Time	1.0 s
Float Down Time	3.0 s
Fastest Total Cycle Time	9.2 s



LOADER ARM PERFORMANCE with Standard Bucket 1.4 m³

Tipping Load - Straight (ISO 14397-1:2007)	4,000 kg
Tipping Load - Full Turn (ISO 14397-1:2007)	3,500 kg
Bucket Breakout Force	45 kN
A Maximum Hinge Pin Height	3,700 mm
B Dump Clearance at Full Height Discharge	2,950 mm
C Dump Reach at Full Height Discharge	1,110 mm
D Maximum Digging Depth, Bucket Level	50 mm
S ₁ Bucket Rollback at Ground Level	45°
S ₂ Bucket Rollback at Carry	50°
S ₃ Bucket Rollback at Maximum Height	61°
S ₄ Maximum Dump Angle at Full Height	40°

BUCKET PERFORMANCE

Reference Bucket	1.4 m ³
------------------	--------------------

DIMENSIONS

E Ground Clearance	345 mm
G Wheelbase	2,310 mm
H Cab Height	2,930 mm
J Wheel Tread	1,520 mm
K Width Over Tires	1,918 mm
L Length with Bucket Down	6,466 mm
M Turn Angle, Either Side	38°
P Rear Angle of Departure	31°
R ₁ Turning Radius, Bucket Carry	5,050 mm
R ₂ Turning Radius, Outside of Tire	4,500 mm
W Width Over Bucket	2,202 mm

TIRES

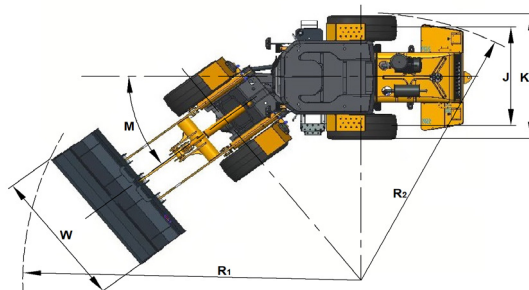
Tire Size	16/70-24 14PR TT L-3
-----------	----------------------

OPERATING WEIGHTS

Operating Weight	6,530 kg
------------------	----------

SERVICE CAPACITY

Fuel Tank	95 L
Engine Oil	15 L
Cooling System	25 L
Hydraulic Reservoir	83 L
Transmission and Torque Converter	25 L
Axles, each	12 L



Guangxi Liugong Machinery Co., Ltd.

No. 1 Liutai Road, Liuzhou, Guangxi 545007, PR China
T: +86 772 3886124 E: overseas@liugong.com
www.liugong.com

Specifications and designs are subject to change without notice. Machines shown may include optional equipment. Liugong standard and optional equipment may vary from region to region. Please consult your Liugong dealer for information specific to your area. Engine power kW is converted to horsepower (1 kW=1.3596 ps and 1 kW=1.3410 hp) in this file.

03/2023 Designed by LiuGong
Replace the previous versions of 02/2022